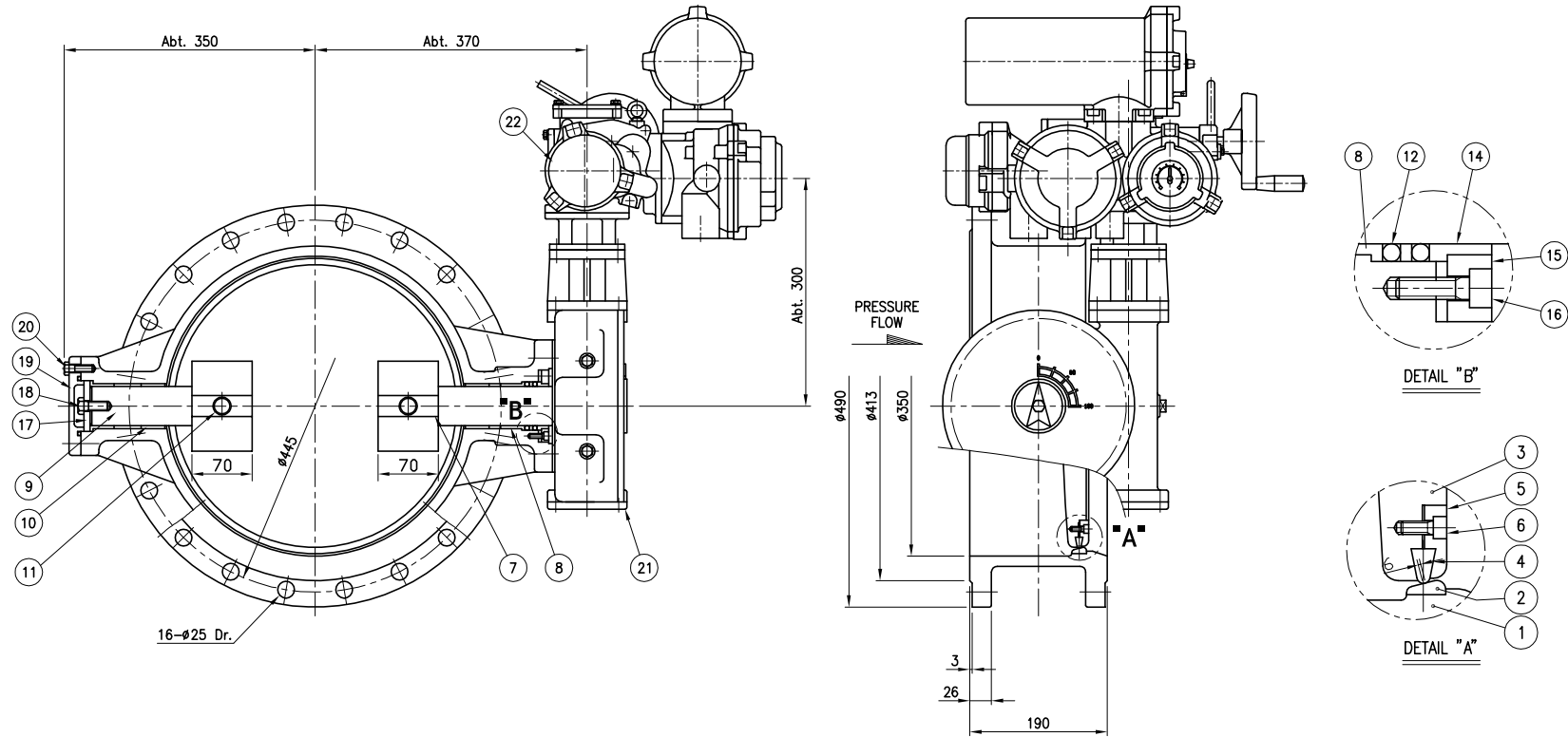



버티플라이 밸브

NO.	PART NAME	MATERIAL	Q'TY	REMARKS
1	BODY	GCD450	1	ø350
2	BODY SEAT	STS304	1	
3	DISC	GCD450	1	ø350
4	DISC SEAT	EPDM	1	
5	SEAT GLAND	STS304	1	
6	GLAND BOLT	STS304	1Set	12-M8
7	MAIN SHAFT	STS403	1	ø34
8	MAIN BUSHING	Oilless	1Set	ø34
9	STUB SHAFT	STS304	1	ø34
10	STUB BUSHING	BC6	1Set	ø34
11	LOCK PIN	STS304	2	ø12
12	O-RING	NBR	1SET	ø33
14	GLAND BUSHING	BC6	1	ø33
15	V-P GLAND	SS400	1	
16	GLAND BOLT	STS304	1Set	4-M8
17	COLLAR	STS304	1	
18	CONTROL BOLT	STS304	1	M12
19	END-COVER	GCD450	1	
20	E-COVER BOLT	STS304	1Set	4-M12
21	GEAR REDUCER ASS'Y	ASS'Y	1Set	SBWG-01-1M (1/42)
22	ACTUATOR ASS'Y	ASS'Y	1Set	TM-01i 0.75KW



NO.	DESCRIPTION	DATE	DES.	APP.
TITLE				
버티플라이 밸브 350A ASS'Y				
DES. BY		REW. BY	APP. BY	
DATE	2009.06	SCALE	N.S	
DWG NO.		DEB-35F-ASSY		
 동희엔지니어링				