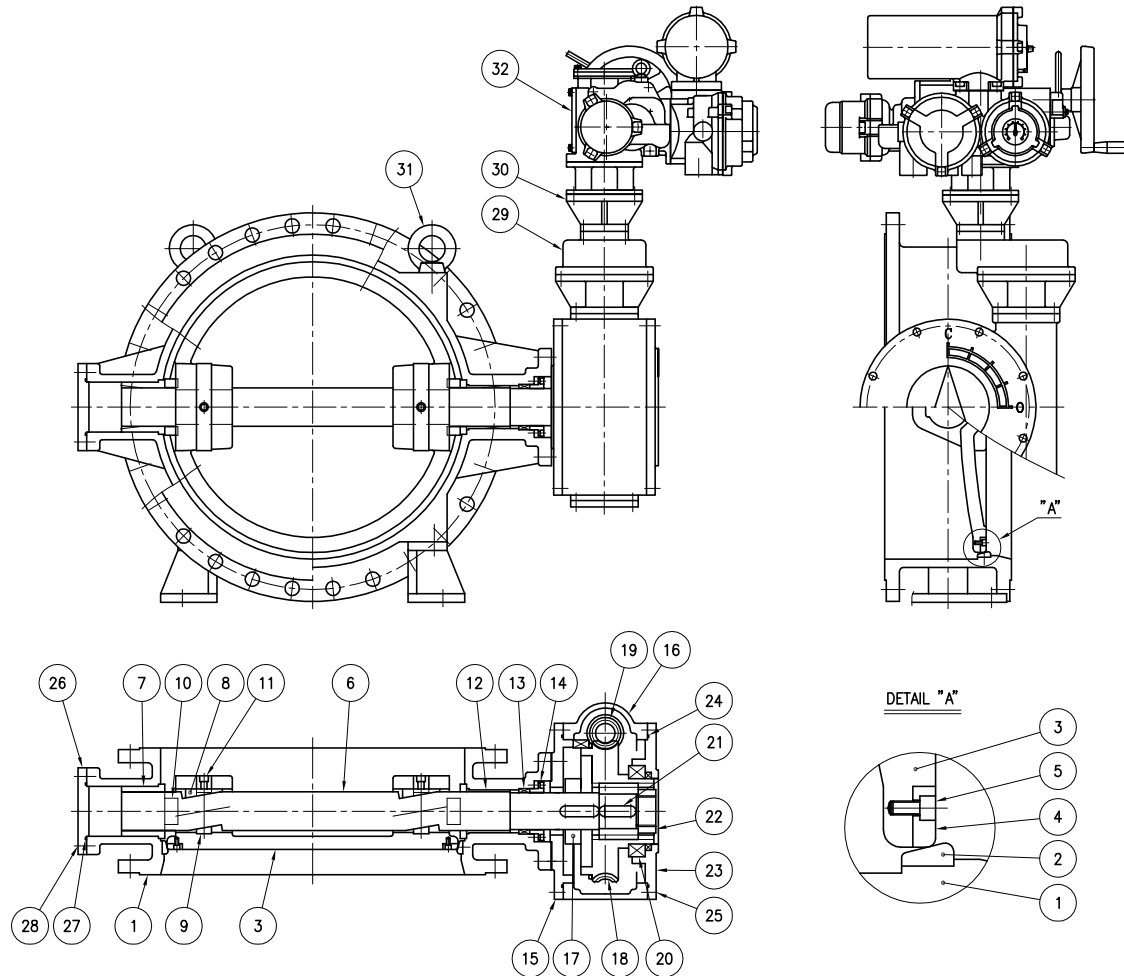



경사 가압형 메탈시트 버터플라이밸브



NO.	PART NAME
1	BODY
2	BODY SEAT
3	DISC
4	DISC SEAT
5	WRENCH BOLT
6	SHAFT
7	STUB BUSHING
8	UPPER SLICER
9	LOWER SLIDER
10	DISC COLLAR
11	WRENCH BOLT
12	MAIN BUSHING
13	O-RING
14	O-RING GLAND
15	BASE PLATE
16	WORM GEAR BOX
17	GUIDE
18	WORM WHEEL
19	WORM SHAFT
20	BEARING
21	KEY
22	NUT
23	GEARBOX COVER
24	O-RING
25	BOLT
26	END COVER
27	O-RING
28	BOLT
29	SPUR REDUCER
30	BRACKET
31	EYE BOLT
32	ACTUATOR

TITLE				SLUICE GATE - W2000 x H2000 ASS'Y			
DES. BY		REW. BY		APP. BY			
2009.08.07							
JOUNG.H.D							
DATE	2009.08.07	SCALE	N/S				
DWG NO. DH-ESG-2000x2000-ASSY							
				 동희엔지니어링			
NO.	DESCRIPTION	DATE	DES.				