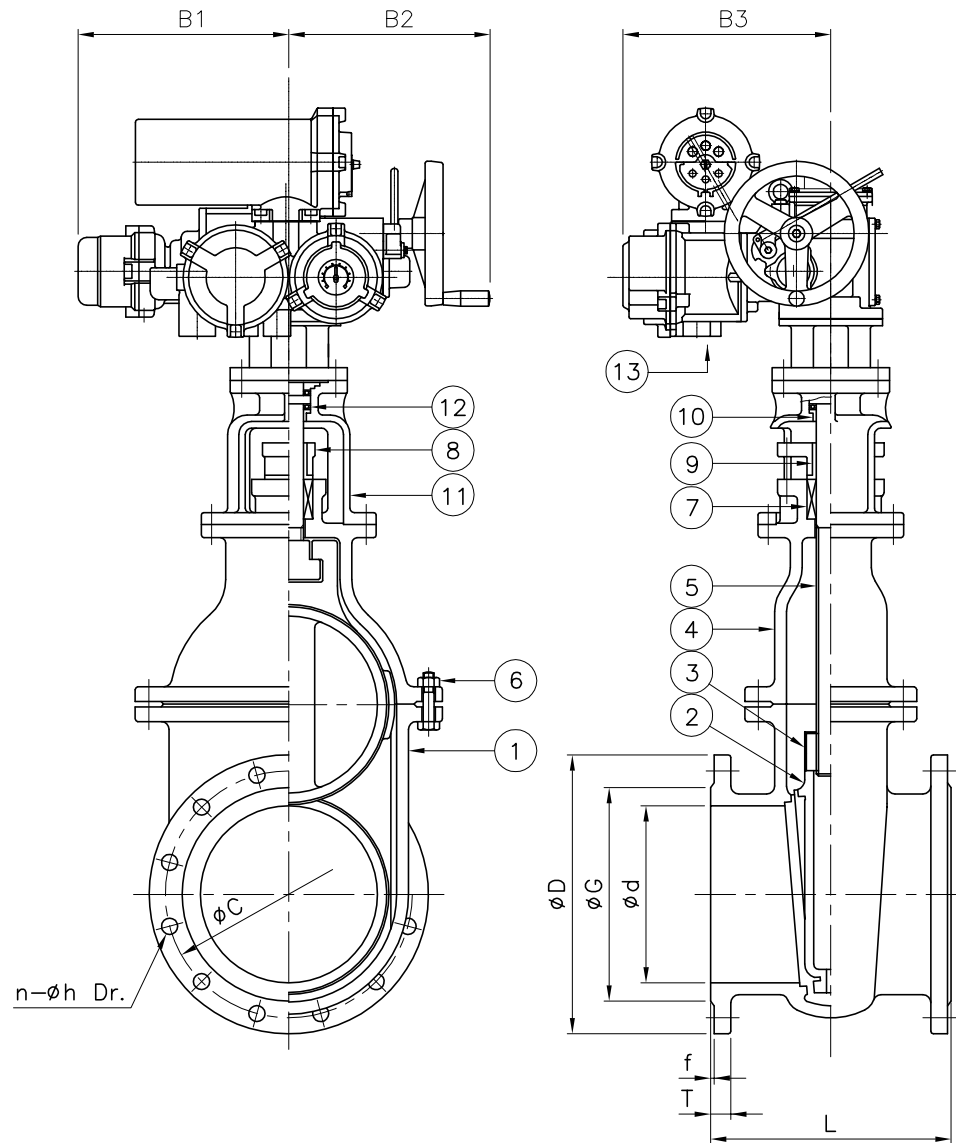


# 제수 밸브



NO.	PART NAME	MAT'L	Q'TY	REMARKS
1	BODY	SSC 13	1	
2	DISC	STS304	1	
3	DISC NUT	BC6	1	
4	COVER	SSC 13	1	
5	STEM	STS304	1	
6	SUTD BOLT,NUT	STS304		
7	PACKING	ASBESTOS	1	
8	PACKING GLAND	STS304	1	
9	GLAND BUSH	BC6	1	
10	BUSH	BC6	1	
11	BRACKET	SC410	1	
12	BEARING	ASS'Y	2	
13	ACTUATOR	ASS'Y	1	

SIZE N.D	L	FLANGE					
		øD	øG	ød	øC	n-øh	Txf
300	400	445	368	300	400	16-25	24x3

SIZE N.D	B1	B2	B3
300	510	350	442

NO.	DESCRIPTION	DATE	DES.	APP.
TITLE 제수 밸브 300A ASS'Y				
DES. BY		REW. BY		APP. BY
DATE	2009.06	SCALE	N.S	
DWG NO.	DES-30-ASSY			
 동희엔지니어링				