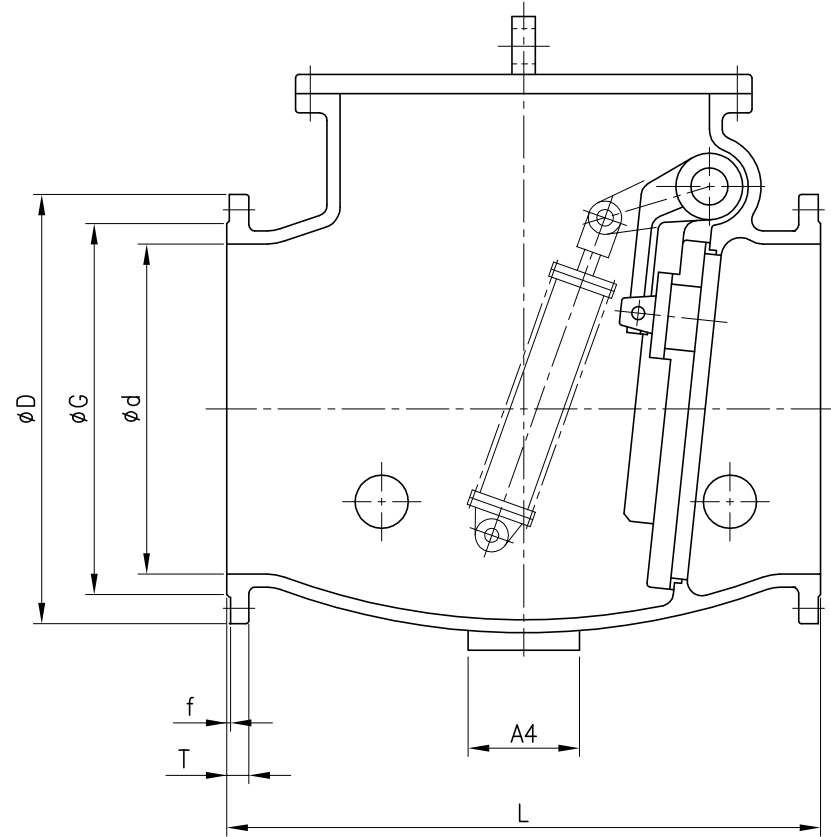
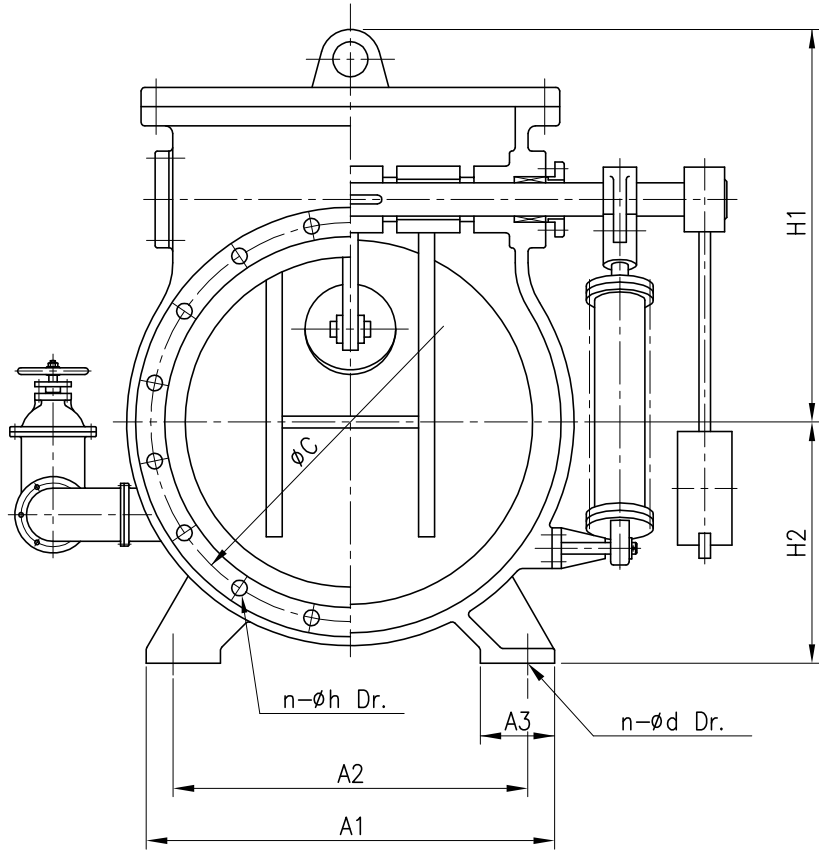


역지 밸브 (CHECK VALVE)




TITLE
역지 밸브 (CHECK VALVE)

DES. BY REW. BY APP. BY

DATE 2009.03 SCALE N/S

DWG NO.

NO.	DESCRIPTION	DATE	DES.	APP.
△				
△				
△				

 동희엔지니어링